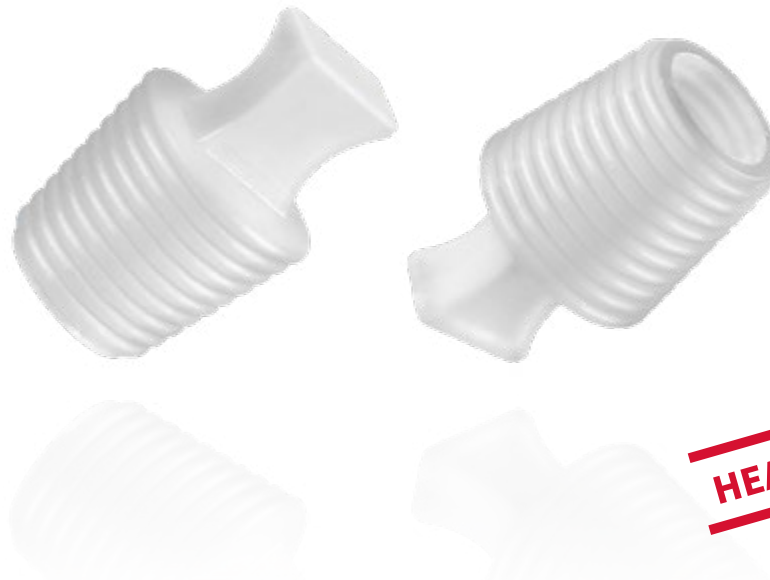


# PROTEC PROSICON® EPS 200

## High Temp Silicone Flangeless Plugs



### YOUR PROSICON® PRODUCT ADVANTAGE. BEST PRICE PERFORMANCE IN THE MARKET.

#### HIGH TEMP SILICONE FLANGELESS PLUGS.

Flangeless Plugs have a tapered design and hollow core to allow a single plug to be used in both threaded or non-threaded holes of varying sizes.

Protect bore holes and internal threads without masking surrounding area.

Recommended for Powder coating, e-coating, plating & anodizing.

#### PREMIUM SILICONE MATERIAL PROPERTIES.

Prosicon® Silicone rubber 55 shore A withstands temperatures up to max. 316 ° C / 4 hours. On request also in EPDM material up to max. 177 ° C available.

#### PROSICON® BLU SIGNATURE® PRODUCT CODE.

Premium. Reusable. Stabilized with Special Blends.

#### COLOR OPTIONS.

Natural. Also available in colour coding.

#### TECHNICAL CLEANLINESS FOR ACCURATE MASKING.

Prosicon® Silicone Maskign Caps and Plugs are stabilized and tempered separately. This process improves dimensional stability and prevents plasticizer exudation during customer applications under high temperature conditions.

#### PREMIUM SILICONE MATERIAL PROPERTIES.

Prosicon® Silicone Maskign Caps and Plugs have an excellent resistance to high temperature, chemicals and acids and can be used several times without loss of quality

#### MATERIALS SELECTION GUIDE.

EPDM rubber, Neoprene, NBR rubber, SBR, TPE, ecc.

#### APPLICATION.

High Temperature Masking Caps and Plugs to protect your product during finishing processes like powder coating, KTL, Wet painting, anodizing, electroplating and e.coating treatments. Extremely temperature resistant up to 316° C, robust, versatile and time-saving in application.

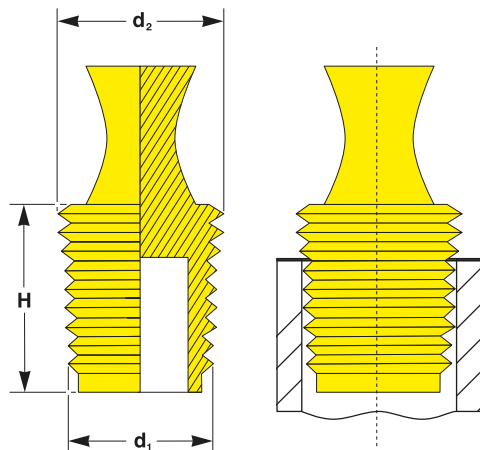
#### SILICONE / EPDM CUSTOM DESIGN AT RECORD SPEED.

We develop your individual parts that are not listed or alternative dimensional designs of this range that are tailored to your requirements.

- |                    |                                                 |
|--------------------|-------------------------------------------------|
| <b>Customized.</b> | For your special application                    |
| <b>Time Saver.</b> | Rapid Prototyping & Hi-Speed functional samples |
| <b>Hi-Speed.</b>   | Fast Lane Serial Mold Construction              |
| <b>Unbeatable.</b> | At the best price in the market                 |

# PROTEC PROSICON® EPS 200

## High Temp Silicone Flangeless Plugs



### DIMENSIONS

All dimensions in mm

Dimensions			Shore A	Standard Pack	Reference No.
d <sub>1</sub>	d <sub>2</sub>	H			
2.01	3.99	19.05	50	500	EPS 200 / 0157-0079
3.99	5.99	25.40	80	250	EPS 200 / 0236-0157
4.78	10.54	25.40	70	1.000	EPS 200 / 0415-0188
5.99	8.00	25.40	80	250	EPS 200 / 0315-0236
7.95	10.31	25.40	75	250	EPS 200 / 0406-0313
8.00	10.01	25.40	80	250	EPS 200 / 0394-0315
10.01	11.99	25.40	75	250	EPS 200 / 0472-0394
10.31	11.89	25.40	75	250	EPS 200 / 0468-0406
10.54	16.28	25.40	70	500	EPS 200 / 0641-0415
11.89	14.27	25.40	75	250	EPS 200 / 0562-0468
11.99	14.00	25.40	75	250	EPS 200 / 0551-0472
14.00	16.00	25.40	75	250	EPS 200 / 0630-0551
14.27	15.88	25.40	75	250	EPS 200 / 0625-0562
15.88	18.24	25.40	75	250	EPS 200 / 0718-0625
16.00	18.01	25.40	75	250	EPS 200 / 0709-0630
16.28	22.05	25.40	70	100	EPS 200 / 0868-0641
18.01	19.99	25.40	70	100	EPS 200 / 0787-0709
18.24	19.05	25.40	70	250	EPS 200 / 0750-0718
19.05	22.23	25.40	70	100	EPS 200 / 0875-0750
19.99	22.50	25.40	70	100	EPS 200 / 0886-0787
22.05	27.79	25.40	70	100	EPS 200 / 1094-0868
22.23	25.40	25.40	65	100	EPS 200 / 1000-0875
22.50	24.00	25.40	70	100	EPS 200 / 0945-0886
24.00	26.01	25.40	65	100	EPS 200 / 1024-0945
25.40	28.58	25.40	65	100	EPS 200 / 1125-1000
26.01	27.99	25.40	65	100	EPS 200 / 1102-1024
27.79	33.53	25.40	70	100	EPS 200 / 1320-1094
28.58	31.75	25.40	65	100	EPS 200 / 1250-1125
33.53	39.29	25.40	70	100	EPS 200 / 1547-1320
39.29	45.06	25.40	70	100	EPS 200 / 1774-1547
45.06	50.80	25.40	70	100	EPS 200 / 2000-1774

Should your requirements not be shown please ask for a separate quotation.  
SEALWELL products and specifications are subject to improvement and change without notice.