

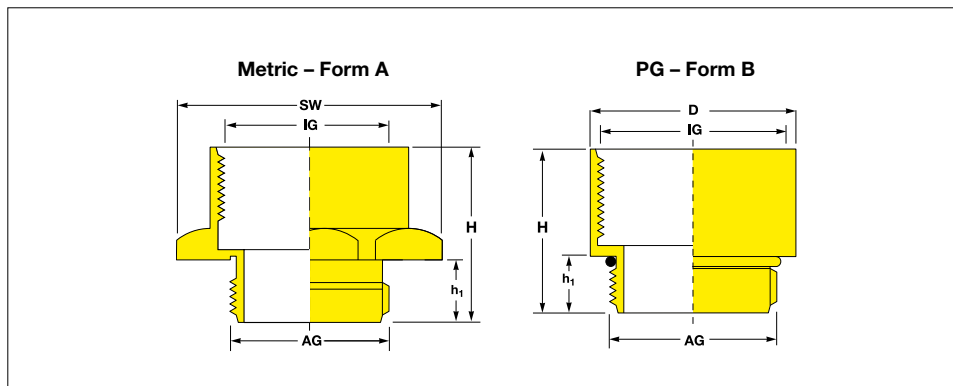
# Quick-Fit® Thread Enlargers, Brass, Nickel plated

Used to enlarge a small internal thread or tapped hole for application of a larger outside thread size

Available for both metric to metric and PG to PG-threads

immediate

FREE SAMPLES



### Metric – Form A

from	to	All dimensions in mm				
Thread external	Thread internal	Spanner size	Length of thread	Height	Reference-No.	Form
AG	IG	SW	h <sub>1</sub>	H		
M 12	M 16	18.0	5.0	16.0	EPN 740 / M 12 → M 16	A
M 16	M 20	22.0	5.0	16.5	EPN 740 / M 16 → M 20	A
M 20	M 25	27.0	6.0	18.5	EPN 740 / M 20 → M 25	A
M 25	M 32	34.0	7.0	20.5	EPN 740 / M 25 → M 32	A
M 32	M 40	42.0	8.0	23.5	EPN 740 / M 32 → M 40	A
M 40	M 50	52.0	8.0	30.5	EPN 740 / M 40 → M 50	A
M 50	M 63	65.0	9.0	32.5	EPN 740 / M 50 → M 63	A

### PG – Form B

from	to	All dimensions in mm				
Thread external	Thread internal	Spanner size	Length of thread	Height	Artikel-Nr.	Form
AG	IG	D	h <sub>1</sub>	H		
PG 7	PG 9	17.0	5.0	15.0	EPN 740 / PG 7 → PG 9	B
PG 9	PG 11	20.0	6.0	16.5	EPN 740 / PG 9 → PG 11	B
PG 11	PG 13.5	22.0	6.0	17.7	EPN 740 / PG 11 → PG 13.5	B
PG 11	PG 16	24.0	5.9	18.5	EPN 740 / PG 11 → PG 16	B
PG 13.5	PG 16	24.0	5.9	18.5	EPN 740 / PG 13.5 → PG 16	B
PG 16	PG 21	30.0	6.5	21.0	EPN 740 / PG 16 → PG 21	B
PG 21	PG 29	39.0	7.0	23.0	EPN 740 / PG 21 → PG 29	B
PG 29	PG 36	50.0	8.0	27.5	EPN 740 / PG 29 → PG 36	B
PG 36	PG 42	50.0	9.0	31.0	EPN 740 / PG 36 → PG 42	B
PG 42	PG 48	64.0	10.0	33.0	EPN 740 / PG 42 → PG 48	B

**Material :**  
Brass,  
nickel plated

Used to enlarge a small internal thread or tapped hole for application of a larger outside thread size.

Available for both metric to metric and PG to PG-threads.



Should your requirements not be shown please ask for a separate quotation.  
SEALWELL products and specifications are subject to improvement and change without notice.

# Quick-Fit® Thread Enlargers, Brass, Nickel plated

Used to enlarge a small internal thread or tapped hole for application of a larger outside thread size

Available for both metric to metric and PG to PG-threads

## TRIPLE ADVANTAGE of QUICK-FIT®

**QUALITY.** These components enlarge the threaded entry diameter on any threaded interface from a smaller to larger thread size in order to accept a suitable gland.

Configuration: from small external Metric to large internal Metric and from small external PG to large internal PG.

**AVAILABILITY.** With over 400 million moulded components shipped from our Oststeinbek / Hamburg logistics center we provide the fastest on time delivery service to all markets and industries.

**PHILOSOPHY.** The highest degree of Protec Quick-Fit functionality and safety at the best price in the market.



**Material :**  
Brass,  
nickel plated

**Individual Productions :**  
On request we develop and produce individually tailored solutions next to the standard items of this range: additional dimensions, different materials and new colours

We would be pleased to advise you.

 sealwell