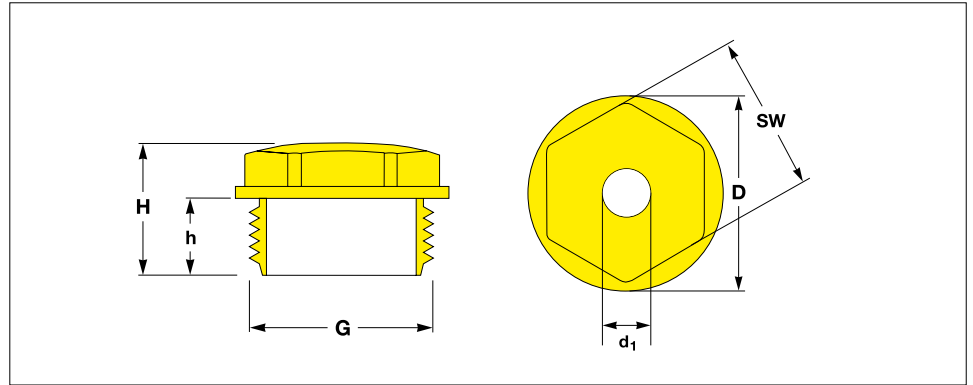


# Quick-Fit® Threaded Sealing Grommets, open

Ingress Rating IP 54

prompt

MADE-TO-ORDER  
VOLUME



**Material :**  
LLD-PE,  
linear low density polyethylene

**Standard Colour :**  
light grey RAL 7035

Optional colours on request.

Ingress Rating IP 54.  
With open membrane



**Metric**

All dimensions in mm

Thread size	Clamping range	Flange	Ø Centered Hole	Spanner size	Length of thread	Depth	Reference-No.
G		D	d <sub>1</sub>	SW	h	H	
M 16 × 1.5	5.0 – 10.0	19.8	4.5	SW 15	9.5	17.0	EPN 470 / M 16
M 20 × 1.5	8.0 – 13.5	24.0	7.0	SW 19	12.0	19.7	EPN 470 / M 20
M 25 × 1.5	9.0 – 16.0	29.5	8.7	SW 24	12.8	22.0	EPN 470 / M 25
M 32 × 1.5	11.0 – 22.0	37.5	9.5	SW 30	14.8	26.0	EPN 470 / M 32
M 40 × 1.5	17.0 – 24.0	45.5	15.0	SW 37	16.0	29.0	EPN 470 / M 40
M 50 × 1.5	22.0 – 35.0	55.5	20.0	SW 46	18.0	32.0	EPN 470 / M 50
M 63 × 1.5	24.0 – 43.0	68.8	22.0	SW 56	20.0	38.0	EPN 470 / M 63

Should your requirements not be shown please ask for a separate quotation.  
SEALWELL products and specifications are subject to improvement and change without notice.

# Quick-Fit® Threaded Sealing Grommets, open

Ingress Rating IP 54

## TRIPLE ADVANTAGE of QUICK-FIT®

**QUALITY.** Wire management. Threaded screw grommets ensure accurate protection of cables and wires passing through threads in metal panels  
Hexagon-Head, with open membrane

**AVAILABILITY.** With over 400 million moulded components shipped from our Oststeinbek / Hamburg logistics center we provide the fastest on time delivery service to all markets and industries.

**PHILOSOPHY.** The highest degree of Protec Quick-Fit functionality and safety at the best price in the market.



**Material :**  
LLD-PE,  
linear low density polyethylene

**Standard Colour :**  
light grey      RAL 7035

**Individual Productions :**  
On request we develop and produce individually tailored solutions next to the standard items of this range: additional dimensions, different materials and new colours

We would be pleased to advise you.

 sealwell