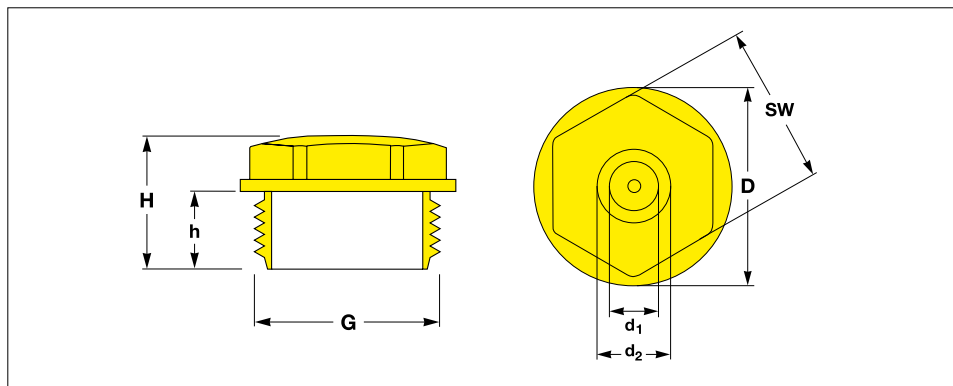


Quick-Fit® Threaded Sealing Grommets, semi - blind

Ingress Rating IP 54
With piercing membrane

EX STOCK
400m
Parts
DELIVERY SERVICE



Metric DIN 46 320

All dimensions in mm

Thread size	Clamping range	Flange	Ø Sealing-membrane		Spanner size	Length of thread	Depth	Reference-No.
			D	d ₁				
M 16 × 1.5	5.0 – 10.0	19.8	4.5		SW 15	9.5	17.0	EPN 460 / M 16
M 20 × 1.5	8.0 – 13.5	24.0	7.0		SW 19	12.0	20.0	EPN 460 / M 20
M 25 × 1.5	9.0 – 16.0	29.5	8.0		SW 24	12.9	22.0	EPN 460 / M 25
M 32 × 1.5	11.0 – 22.0	37.5	9.0		SW 30	14.8	26.2	EPN 460 / M 32
M 40 × 1.5	17.0 – 24.0	45.8	15.0		SW 37	16.0	29.0	EPN 460 / M 40
M 50 × 1.5	22.0 – 35.0	55.8	20.0	28.0	SW 46	18.0	32.0	EPN 460 / M 50
M 63 × 1.5	24.0 – 43.0	68.8	22.0	33.0	SW 56	19.5	38.0	EPN 460 / M 63

PG

All dimensions in mm

Thread size	Clamping range	Flange	Ø Sealing-membrane		Spanner size	Length of thread	Depth	Reference-No.
			D	d ₁				
PG 13.5	7.0 – 10.0	22.8	11.0		SW 17	11.0	18.2	EPN 460 / PG 13.5
PG 16	7.0 – 10.0	25.9	7.0		SW 19	11.4	18.5	EPN 460 / PG 16

Material :
LLD-PE,
linear low density polyethylene

Standard Colour :
light grey RAL 7035

Optional colours on request.

Ingress Rating IP 54.
With piercing membrane



Should your requirements not be shown please ask for a separate quotation.
SEALWELL products and specifications are subject to improvement and change without notice.

Quick-Fit® Threaded Sealing Grommets, semi - blind

Ingress Rating IP 54
With piercing membrane

TRIPLE ADVANTAGE of QUICK-FIT®

QUALITY. Wire management. Self-sealing threaded screw grommets ensure accurate sealing of pre-installed threads in metal panels. Can be pierced by wires or cables to be used as an open grommet Ingress Rating IP 54. With piercing membrane.

AVAILABILITY. With over 400 million moulded components shipped from our Oststeinbek / Hamburg logistics center we provide the fastest on time delivery service to all markets and industries.

PHILOSOPHY. The highest degree of Protec Quick-Fit functionality and safety at the best price in the market.



Material :
LLD-PE,
linear low density polyethylene

Standard Colour :
light grey RAL 7035

Optional colours on request.

Individual Productions :
On request we develop and produce individually tailored solutions next to the standard items of this range: additional dimensions, different materials and new colours

We would be pleased to advise you.

 sealwell