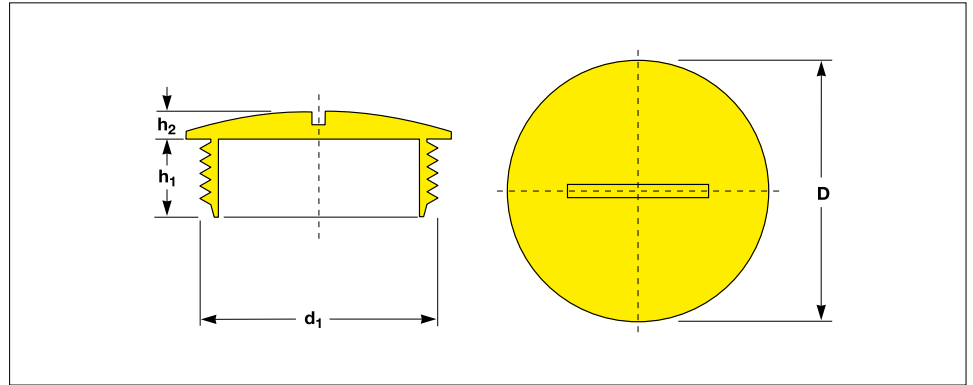


Quick-Fit® Threaded Blanking Plugs

Close existing threads to secure unused ports for future use



Metric DIN 46 320

All dimensions in mm

| Thread size | Flange | Depth | | Material | Reference-No. |
|-------------|--------|----------------|---|----------|----------------------|
| | | d ₁ | D | | |
| M 12 × 1.5 | 15.0 | | | PS | EPN 450 / M 12 × 1.5 |
| M 16 × 1.5 | 20.0 | | | PS | EPN 450 / M 16 × 1.5 |
| M 20 × 1.5 | 24.0 | | | PS | EPN 450 / M 20 × 1.5 |
| M 25 × 1.5 | 30.0 | | | PS | EPN 450 / M 25 × 1.5 |
| M 32 × 1.5 | 38.0 | | | PS | EPN 450 / M 32 × 1.5 |
| M 40 × 1.5 | 46.0 | | | PS | EPN 450 / M 40 × 1.5 |
| M 50 × 1.5 | 56.0 | | | PA-GF | EPN 450 / M 50 × 1.5 |
| M 63 × 1.5 | 69.7 | | | PA-GF | EPN 450 / M 63 × 1.5 |

PG

All dimensions in mm

| | | | | | |
|---------|------|------|-----|----|-------------------|
| PG 7 | 15.0 | 6.0 | 2.0 | PS | EPN 450 / PG 7 |
| PG 9 | 19.0 | 6.0 | 3.0 | PS | EPN 450 / PG 9 |
| PG 11 | 22.0 | 6.5 | 3.0 | PS | EPN 450 / PG 11 |
| PG 13.5 | 25.0 | 6.0 | 3.5 | PS | EPN 450 / PG 13.5 |
| PG 16 | 27.0 | 6.5 | 3.5 | PS | EPN 450 / PG 16 |
| PG 21 | 33.0 | 8.0 | 4.0 | PS | EPN 450 / PG 21 |
| PG 29 | 44.0 | 8.0 | 4.0 | PS | EPN 450 / PG 29 |
| PG 36 | 55.0 | 10.0 | 5.0 | PS | EPN 450 / PG 36 |
| PG 42 | 62.0 | 10.0 | 6.0 | PS | EPN 450 / PG 42 |
| PG 48 | 69.0 | 12.0 | 5.0 | PS | EPN 450 / PG 48 |

Material :
PS,
durable polystyrene

Standard Colours :
light grey RAL 7035
dark grey RAL 7001
black RAL 9005

optional :
white RAL 9010
red RAL 3000

Optional colours on request.

Close existing threads to secure unused ports for future use.



Should your requirements not be shown please ask for a separate quotation.
SEALWELL products and specifications are subject to improvement and change without notice.

Quick-Fit® Threaded Blanking Plugs

Close existing threads to secure unused ports for future use

TRIPLE ADVANTAGE of QUICK-FIT™

QUALITY. This range fits a variety of Metric and PG thread sizes and can be applied for plugging threads in panels from 12mm to 63mm in diameter.

AVAILABILITY. With over 400 million moulded components shipped from our Oststeinbek / Hamburg logistics center we provide the fastest on time delivery service to all markets and industries.

PHILOSOPHY. The highest degree of Protec Quick-Fit functionality and safety at the best price in the market.



Material :

PS,
durable polystyrene

Standard Colours :

| | |
|------------|----------|
| light grey | RAL 7035 |
| dark grey | RAL 7001 |
| black | RAL 9005 |

optional :

| | |
|-------|----------|
| white | RAL 9010 |
| red | RAL 3000 |

Optional colours on request.

Individual Productions :

On request we develop and produce individually tailored solutions next to the standard items of this range: additional dimensions, different materials and new colours

We would be pleased to advise you.

 sealwell