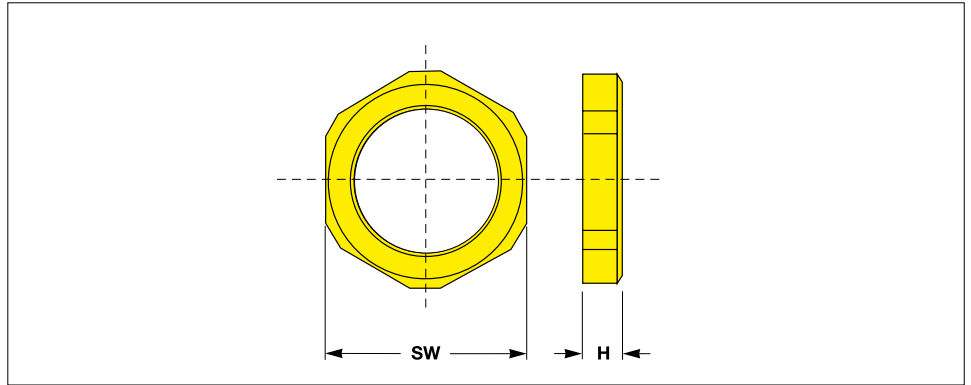


Quick-Fit® Hexagonal Locknuts flangeless

For secure tightening of cable glands and accessories

EX STOCK
400m
Parts
DELIVERY SERVICE



Metric

All dimensions in mm

Thread size	Depth	Spanner size	Material	Reference-No.
	H	SW		
M 12 × 1.5	5.5	17	PA-GF	EPN 355 / M 12 PA-GF
M 16 × 1.5	5.5	22	PA-GF	EPN 355 / M 16 PA-GF
M 20 × 1.5	6.5	24	PA-GF	EPN 355 / M 20 PA-GF
M 25 × 1.5	7.0	32	PA-GF	EPN 355 / M 25 PA-GF
M 32 × 1.5	7.0	41	PA-GF	EPN 355 / M 32 PA-GF
M 40 × 1.5	7.0	50	PA-GF	EPN 355 / M 40 PA-GF
M 50 × 1.5	8.5	60	PA-GF	EPN 355 / M 50 PA-GF
M 63 × 1.5	8.5	75	PA-GF	EPN 355 / M 63 PA-GF

PG

All dimensions in mm

PG 7	5.0	19	PA-GF	EPN 355 / PG 7 PA-GF
PG 9	5.5	22	PA-GF	EPN 355 / PG 9 PA-GF
PG 11	6.0	24	PA-GF	EPN 355 / PG 11 PA-GF
PG 13.5	6.0	27	PA-GF	EPN 355 / PG 13 PA-GF
PG 16	6.5	30	PA-GF	EPN 355 / PG 16 PA-GF
PG 21	7.0	36	PA-GF	EPN 355 / PG 21 PA-GF
PG 29	7.5	46	PA-GF	EPN 355 / PG 29 PA-GF
PG 36	8.0	60	PA-GF	EPN 355 / PG 36 PA-GF
PG 42	8.0	65	PA-GF	EPN 355 / PG 42 PA-GF
PG 48	8.0	70	PA-GF	EPN 355 / PG 48 PA-GF

Material :
PA 6,
impact resistant nylon

Standard Colours :
light grey RAL 7035
dark grey RAL 7001
black RAL 9005

optional :
white RAL 9010
red RAL 3000

Optional colours on request.

For secure tightening of cable glands and accessories.



Should your requirements not be shown please ask for a separate quotation.
SEALWELL products and specifications are subject to improvement and change without notice.

Quick-Fit® Hexagonal Locknuts flangeless

For secure tightening of cable glands and accessories

TRIPLE ADVANTAGE of QUICK-FIT®

QUALITY. This range fits a variety of thread sizes and can be applied for a range of applications. These locknuts are durable, non-conductive and resistant to corrosion.

AVAILABILITY. With over 400 million moulded components shipped from our Oststeinbek / Hamburg logistics center we provide the fastest on time delivery service to all markets and industries.

PHILOSOPHY. The highest degree of Protec Quick-Fit functionality and safety at the best price in the market.



Material :

PA 6,
impact resistant nylon

Standard Colours :

light grey	RAL 7035
dark grey	RAL 7001
black	RAL 9005

optional :

white	RAL 9010
red	RAL 3000

Optional colours on request.

Individual Productions :

On request we develop and produce individually tailored solutions next to the standard items of this range: additional dimensions, different materials and new colours

We would be pleased to advise you.

 sealwell