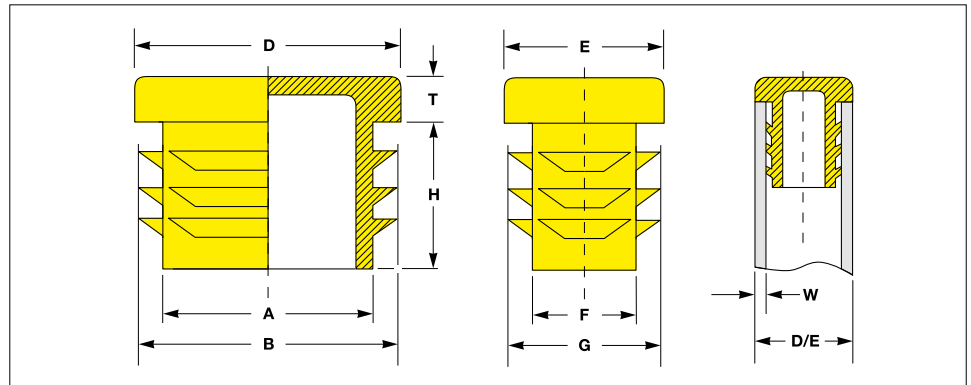


Rectangular Inserts - Ribbed

Ideal tubing closures as furniture glides
Protects floor surfaces when used as feet
Ribbed for easy assembly and secure fitting



All dimensions in mm

Outside Dimension of Tube	Wall Thickness	A	B	F	G	H	T	Reference-No.
D / E	W							
20.0 × 10.0	1.0 - 2.0	12.5	19.2	2.7	9.2	11.5	3.0	LR 20. 10. × 1.0-2.0
20.0 × 15.0	1.0 - 2.0	15.5	18.9	10.7	13.9	11.2	5.0	LR 20. 15. × 1.0-2.0
25.0 × 10.0	1.0 - 2.0	27.5	23.5	6.4	8.7	11.5	5.0	LR 25. 10. × 1.0-2.0
25.0 × 12.0	1.0 - 2.0	19.0	23.5	6.0	10.5	11.5	5.0	LR 25. 12. × 1.0-2.0
25.0 × 15.0	1.0 - 2.0	19.9	23.9	10.4	13.9	11.7	5.0	LR 25. 15. × 1.0-2.0
25.0 × 20.0	1.0 - 2.0	17.0	24.0	12.2	19.1	11.5	5.0	LR 25. 20. × 1.0-2.0
30.0 × 10.0	1.0 - 2.0	25.6	28.1	6.2	8.8	11.2	5.0	LR 30. 10. × 1.0-2.0
30.0 × 15.0	1.0 - 2.0	25.5	28.0	10.5	13.0	12.0	5.0	LR 30. 15. × 1.0-2.0
30.0 × 20.0	1.0 - 2.0	23.4	28.9	14.4	19.0	11.5	4.8	LR 30. 20. × 1.0-2.0
30.0 × 20.0	3.0	23.4	27.7	13.6	17.9	14.0	5.0	LR 30. 20. × 3.0
30.0 × 25.0	1.0 - 2.0	24.5	28.5	19.6	23.1	13.4	5.0	LR 30. 25. × 1.0-2.0
35.0 × 10.0	1.0 - 2.0	29.5	32.0	5.0	7.4	10.1	5.0	LR 35. 10. × 1.0-2.0
35.0 × 20.0	1.0 - 2.0	28.5	33.5	14.2	19.2	11.5	4.7	LR 35. 20. × 1.0-2.0
35.0 × 25.0	1.0 - 2.0	29.5	33.7	20.0	23.4	13.5	4.8	LR 35. 25. × 1.0-2.0
35.0 × 30.0	1.0 - 2.0	30.1	35.2	24.9	29.5	13.3	5.0	LR 35. 30. × 1.0-2.0
40.0 × 10.0	1.0 - 2.0	34.5	37.5	5.0	7.9	10.8	5.0	LR 40. 10. × 1.0-2.0
40.0 × 15.0	1.0 - 2.0	35.8	38.7	10.3	13.4	11.8	5.0	LR 40. 15. × 1.0-2.0
40.0 × 20.0	1.0 - 2.0	32.9	39.0	13.0	19.4	11.5	4.9	LR 40. 20. × 1.0-2.0
40.0 × 20.0	3.0	31.0	37.0	11.0	17.0	13.0	5.0	LR 40. 20. × 3.0
40.0 × 25.0	1.0 - 2.0	35.8	39.5	19.9	23.6	12.0	5.0	LR 40. 25. × 1.0-2.0
40.0 × 30.0	1.0 - 2.0	33.6	38.8	24.1	29.0	14.5	5.0	LR 40. 30. × 1.0-2.0
40.0 × 30.0	3.0	31.5	37.0	21.5	27.0	14.0	5.0	LR 40. 30. × 3.0
45.0 × 15.0	1.0 - 2.0	40.2	43.4	10.4	14.0	11.2	5.0	LR 45. 15. × 1.0-2.0
45.0 × 20.0	1.0 - 2.0	38.0	43.7	17.8	18.9	11.8	5.0	LR 45. 20. × 1.0-2.0
45.0 × 25.0	1.0 - 2.0	37.1	43.3	19.0	24.0	14.5	5.0	LR 45. 25. × 1.0-2.0
45.0 × 30.0	1.0 - 2.5	37.4	43.3	23.0	29.0	14.5	5.0	LR 45. 30. × 1.0-2.5
48.0 × 38.0	1.0 - 2.0	41.3	44.9	32.8	37.1	14.2	5.0	LR 48. 38. × 1.0-2.0
50.0 × 20.0	1.0 - 2.0	42.8	47.9	13.5	19.0	14.5	4.7	LR 50. 20. × 1.0-2.0

Material :
LD-PE,
low density polyethylene

Standard Colour :
black

Ideal tubing closures as furniture glides. Protects floor surfaces when used as feet. Ribbed for easy assembly and secure fitting.

sealwell

Should your requirements not be shown please ask for a separate quotation.

SEALWELL products and specifications are subject to improvement and change without notice.

Rectangular Inserts - Ribbed

Ideal tubing closures as furniture glides
 Protects floor surfaces when used as feet
 Ribbed for easy assembly and secure fitting

TRIPLE ADVANTAGE of CAPTOP®

QUALITY. Ideal tubing closures as furniture glides. Protects floor surfaces when used as feet. Ribbed for easy assembly and secure fitting.

AVAILABILITY. With over 400 million moulded components shipped from our Oststeinbek / Hamburg logistics center we provide the fastest on time delivery service to all markets and industries.

PHILOSOPHY. Innovative protective closures at the best price in the market.



CAPTOP®



Material :
 LD-PE,
 low density polyethylene

Standard Colour :
 black

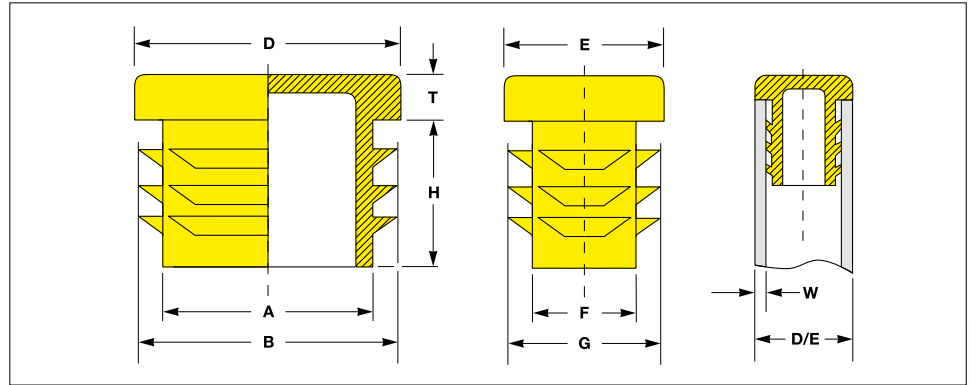
Individual Productions :
 On request we develop and produce individually tailored solutions next to the standard items of this range: additional dimensions, different materials and new colours

We would be pleased to advise you.

 sealwell

Rectangular Inserts - Ribbed

Ideal tubing closures as furniture glides
Protects floor surfaces when used as feet
Ribbed for easy assembly and secure fitting



All dimensions in mm

Outside Dimension of Tube	Wall Thickness	A	B	F	G	H	T	Reference-No.
D / E	W							
50.0 × 25.0	1.0 - 2.0	42.5	48.8	17.9	24.4	14.5	4.7	LR 50. 25. × 1.0-2.0
50.0 × 30.0	1.0 - 2.0	43.5	49.0	23.9	29.5	14.5	5.0	LR 50. 30. × 1.0-2.0
50.0 × 30.0	3.0	42.5	47.2	22.2	26.9	13.5	4.7	LR 50. 30. × 3.0
50.0 × 34.0	1.0 - 2.0	44.3	47.9	28.1	32.0	15.0	4.7	LR 50. 34. × 1.0-2.0
50.0 × 40.0	1.0 - 2.0	42.8	47.5	32.8	38.0	12.2	5.0	LR 50. 40. × 1.0-2.0
55.0 × 35.0	1.0 - 2.0	48.4	52.2	29.8	32.6	13.5	4.5	LR 55. 34. × 1.0-2.0
60.0 × 20.0	1.0 - 2.0	53.5	57.6	14.2	18.0	14.0	5.0	LR 60. 20. × 1.0-2.0
60.0 × 25.0	1.0 - 2.0	46.5	53.0	16.7	23.7	17.5	4.6	LR 60. 25. × 1.0-2.0
60.0 × 30.0	1.0 - 2.0	49.8	56.0	21.8	28.1	17.36	4.9	LR 60. 30. × 1.0-2.0
60.0 × 30.0	3.0	52.1	55.8	22.0	25.9	14.0	5.5	LR 60. 30. × 3.0
60.0 × 30.0	4.0	46.1	52.6	16.8	23.4	17.5	5.0	LR 60. 30. × 4.0
60.0 × 40.0	1.0 - 3.0	51.8	58.3	32.4	39.1	14.5	4.8	LR 60. 40. × 1.0-3.0
60.0 × 40.0	4.0 - 5.0	48.7	53.5	28.7	33.3	14.0	5.3	LR 60. 40. × 4.0-5.0
70.0 × 25.0	1.0 - 2.0	62.2	67.9	17.2	23.1	17.0	5.0	LR 70. 25. × 1.0-2.0
70.0 × 30.0	1.0 - 2.0	61.0	67.1	21.9	27.7	17.4	5.0	LR 70. 30. × 1.0-2.0
70.0 × 40.0	1.0 - 2.0	63.1	68.6	32.3	38.2	18.0	5.2	LR 70. 40. × 1.0-2.0
70.0 × 40.0	4.0	61.5	65.9	31.3	35.9	18.0	5.6	LR 70. 40. × 4.0
80.0 × 20.0	1.0 - 2.0	74.0	78.1	13.0	18.2	17.8	5.0	LR 80. 20. × 1.0-2.0
80.0 × 25.0	1.5 - 3.0	74.0	79.0	18.7	23.0	14.5	5.0	LR 80. 25. × 1.5-3.0
80.0 × 30.0	1.0 - 2.0	71.8	78.1	22.4	28.2	17.5	6.0	LR 80. 30. × 1.0-2.0
80.0 × 30.0	2.5	69.0	77.0	29.0	27.0	17.8	6.0	LR 80. 30. × 2.5
80.0 × 40.0	1.0 - 2.0	70.1	76.6	33.0	37.8	18.4	5.0	LR 80. 40. × 1.0-2.0
80.0 × 40.0	4.0	69.3	74.4	29.5	34.4	17.8	5.2	LR 80. 40. × 4.0

Material :
LD-PE,
low density polyethylene

Standard Colour :
black

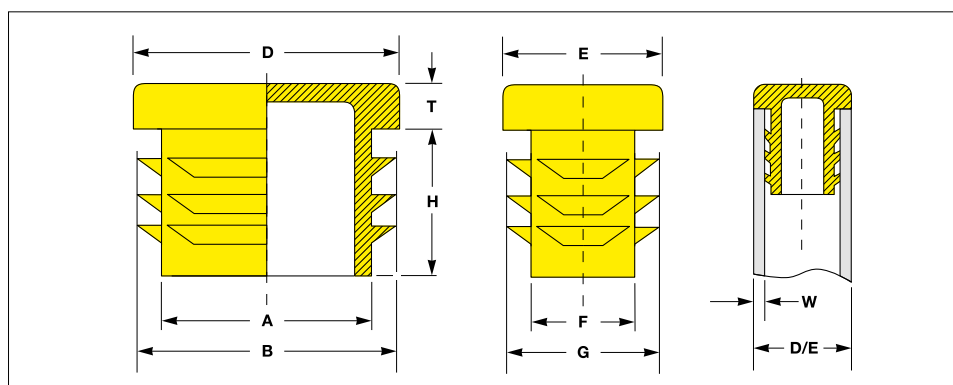
Ideal tubing closures as furniture glides. Protects floor surfaces when used as feet. Ribbed for easy assembly and secure fitting.

 sealwell

Should your requirements not be shown please ask for a separate quotation.
SEALWELL products and specifications are subject to improvement and change without notice.

Rectangular Inserts - Ribbed

Ideal tubing closures as furniture glides
 Protects floor surfaces when used as feet
 Ribbed for easy assembly and secure fitting



CAPTOP®

All dimensions in mm

Outside Dimension of Tube	Wall Thickness	A	B	F	G	H	T	Reference-No.
D / E	W							
80.0 × 50.0	2.0 - 4.0	68.7	76.5	39.6	47.1	24.4	5.0	LR 80. 50. × 2.0-4.0
80.0 × 60.0	3.0	67.1	78.0	46.4	57.2	24.3	5.3	LR 80. 60. × 3.0
80.0 × 60.0	5.0	69.0	72.5	48.6	52.4	19.0	5.0	LR 80. 60. × 5.0
90.0 × 50.0	2.0 - 4.0	77.0	86.7	36.0	46.8	21.5	6.0	LR 90. 50. × 2.0-4.0
100.0 × 25.0	1.5 - 3.0	91.7	98.1	14.1	21.7	15.0	5.0	LR 100. 25. × 1.5-3.0
100.0 × 30.0	1.5 - 3.0	91.5	98.0	20.5	27.5	14.8	5.0	LR 100. 30. × 1.5-3.0
100.0 × 40.0	1.5 - 4.0	91.4	98.6	29.5	36.8	15.0	5.0	LR 100. 40. × 1.5-4.0
100.0 × 50.0	2.0 - 3.0	93.0	96.7	42.2	46.7	24.6	5.0	LR 100. 50. × 2.0-3.0
100.0 × 50.0	3.0 - 5.0	82.6	94.1	33.1	43.7	24.0	6.0	LR 100. 50. × 3.0-5.0
100.0 × 60.0	2.0 - 4.0	88.7	97.8	48.9	57.4	24.5	6.0	LR 100. 60. × 2.0-4.0
100.0 × 80.0	4.0 - 6.0	81.5	93.3	62.1	73.4	19.0	6.2	LR 100. 80. × 4.0-6.0
110.0 × 70.0	3.0 - 5.0	94.0	105.0	53.2	64.0	24.5	6.0	LR 110. 70. × 3.0-5.0
120.0 × 30.0	1.0 - 2.0	114.9	119.8	22.2	26.5	20.2	5.0	LR 120. 30. × 1.0-2.0
120.0 × 40.0	1.0 - 2.0	112.0	116.9	32.0	37.2	16.5	5.3	LR 120. 40. × 1.0-2.0
120.0 × 40.0	3.0	112.5	115.0	30.7	35.8	16.6	5.0	LR 120. 40. × 3.0
120.0 × 50.0	3.0 - 5.0	104.0	114.5	34.0	44.5	21.7	6.0	LR 120. 50. × 3.0-5.0
120.0 × 60.0	3.0 - 4.0	105.4	115.1	68.0	74.3	18.0	5.0	LR 120. 60. × 3.0-4.0
120.0 × 80.0	2.0 - 3.0	111.8	116.7	71.6	76.2	24.2	5.0	LR 120. 80. × 2.0-3.0
120.0 × 80.0	5.0	108.4	116.7	67.6	76.2	24.2	5.1	LR 120. 80. × 5.0
120.0 × 100.0	3.5 - 6.0	103.8	114.3	84.2	94.1	24.0	6.0	LR 120. 100. × 3.5-6.0
140.0 × 80.0	2.0 - 4.0	127.8	137.1	66.5	76.0	24.0	5.7	LR 140. 80. × 2.0-4.0
150.0 × 50.0	2.0 - 4.0	134.2	148.0	31.6	47.5	27.5	6.0	LR 150. 50. × 2.0-4.0

Should your requirements not be shown please ask for a separate quotation.
 SEALWELL products and specifications are subject to improvement and change without notice.

Material :
 LD-PE,
 low density polyethylene

Standard Colour :
 black

Individual Productions :
 On request we develop and produce individually tailored solutions next to the standard items of this range: additional dimensions, different materials and new colours

We would be pleased to advise you.

 sealwell