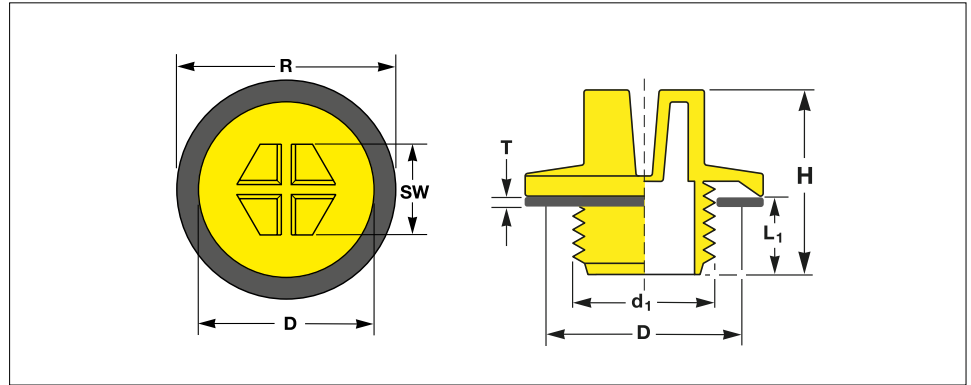


# Threaded Sealing Plugs with assembled washer

Threaded sealing plug design EP 436 complete with washer provides an outstanding seal force useable under complicated working conditions

immediate

FREE  
SAMPLES



## Metric DIN 3852-1 / DIN ISO 6149-1

All dimensions in mm

Thread Size	Flange	Thread Length	Head height	Spanner Size	Washer		Type	Reference No.
					T	R		
$d_1$	D	$L_1$	H	SW				
M 10 × 1	15.4	8.0	15.0	7	1.0	16.5	yellow	EP 438 – M 10 × 1
M 12 × 1.5	18.5	9.0	16.5	10	1.0	19.9	yellow	EP 438 – M 12 × 1.5
M 14 × 1.5	20.3	9.0	17.0	10	1.0	21.5	yellow	EP 438 – M 14 × 1.5
M 16 × 1.5	23.6	10.0	20.0	13	1.0	24.5	yellow	EP 438 – M 16 × 1.5
M 18 × 1.5	25.5	11.0	20.6	13	1.0	26.5	yellow	EP 438 – M 18 × 1.5
M 22 × 1.5	28.4	12.2	21.7	15	1.0	29.5	yellow	EP 438 – M 22 × 1.5
M 27 × 2	33.4	15.0	25.0	19	1.0	34.5	yellow	EP 438 – M 27 × 2
M 30 × 2	35.9	10.0	20.0	24	1.0	37.0	yellow	EP 438 – M 30 × 2
M 33 × 2	42.5	15.0	25.0	24	1.0	43.5	yellow	EP 438 – M 33 × 2
M 36 × 2	44.1	10.0	20.0	24	1.0	47.0	yellow	EP 438 – M 36 × 2
M 42 × 2	51.3	15.0	26.0	24	1.0	52.5	yellow	EP 438 – M 42 × 2
M 45 × 2	54.9	14.6	25.7	30	1.0	56.0	yellow	EP 438 – M 45 × 2
M 48 × 2	56.7	17.0	28.0	30	1.0	57.5	yellow	EP 438 – M 48 × 2
M 52 × 2	60.5	17.0	27.7	30	1.0	61.0	yellow	EP 438 – M 52 × 2

## ISO 11926-1

All dimensions in mm

7/16 – 20 UNF	17.5	9.2	16.0	10	1.0	18.5	natural	EP 438 – .7/16" – 20 UNF
9/16 – 18 UNF	21.4	10.0	18.0	10	1.0	22.5	natural	EP 438 – .9/16" – 18 UNF
3/4 – 16 UNF	27.3	11.0	21.0	13	1.0	28.0	natural	EP 438 – .3/4" – 16 UNF
7/8 – 14 UNF	30.5	13.0	23.0	15	1.0	31.5	natural	EP 438 – .7/8" – 14 UNF
1 1/16 – 12 UN	38.2	15.0	25.0	19	1.0	39.0	natural	EP 438 – 1.1/16" – 12 UN
1 5/16 – 12 UN	44.8	15.0	25.0	24	1.0	46.0	natural	EP 438 – 1.5/16" – 12 UN
1 5/8 – 12 UN	56.0	15.0	26.0	30	1.0	61.0	natural	EP 438 – 1.5/8" – 12 UN
1 7/8 – 12 UN	63.7	15.0	26.0	30	1.0	64.5	natural	EP 438 – 1.7/8" – 12 UN

### Material :

Premium, impact resistant Nylon (PA 6)

### Standard Colours :

yellow, natural

Threaded sealing plug design

EP 436 complete with washer provides an outstanding seal force useable under complicated working conditions.

 sealwell

Should your requirements not be shown please ask for a separate quotation.

SEALWELL products and specifications are subject to improvement and change without notice.

# Threaded Sealing Plugs with assembled washer

Threaded sealing plug design EP 436 complete with washer provides an outstanding seal force useable under complicated working conditions

## TRIPLE ADVANTAGE of CAPTOP®

**QUALITY.** EP 436 body design. For particularly high demands on tightness with additional factory-made fitting of a neoprene rubber sealing washer. Exist in a wide range of metric, Whitworth and UNF thread types. Head designed to drain leakage.

**AVAILABILITY.** With over 400 million moulded components shipped from our Oststeinbek / Hamburg logistics center we provide the fastest on time delivery service to all markets and industries.

**PHILOSOPHY.** Innovative protective closures at the best price in the market.



CAPTOP®



### Material :

Premium, impact resistant Nylon ( PA 6 )

### Standard Colours :

yellow, natural

### Individual Productions :

On request we develop and produce individually tailored solutions next to the standard items of this range: additional dimensions, different materials and new colours

We would be pleased to advise you.

 sealwell