

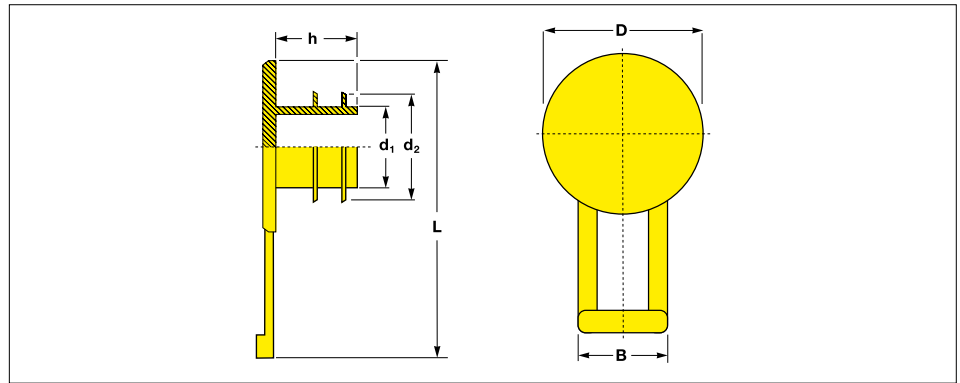
Push-Fit Side Release Plugs with 2 strong Fins

Push fit

With continuous sealing lip and strong flexible side-tab for quick removal

Fit threaded or plain ports. Low-abrasion fit

EX STOCK
400m
Parts
DELIVERY SERVICE



Metric DIN 3852-1

All dimensions in mm

Metric Thread	Body		Fin		Flange	Height	Length	Pull Tab	Reference No.
	d ₁	d ₂	Quantity	D	h	L	B		
M 10 × 1	6.4	9.5	2	16.0	8.0	31.5	12.0	EP 385 / M 10 × 1	
M 12 × 1.5	7.9	11.1	2	19.0	8.0	34.5	12.0	EP 385 / M 12 × 1.5	
M 14 × 1.5	9.9	13.1	2	21.0	10.0	36.5	12.0	EP 385 / M 14 × 1.5	
M 16 × 1.5	11.9	15.1	2	24.0	11.0	40.5	14.0	EP 385 / M 16 × 1.5	
M 18 × 1.5	14.4	17.2	2	25.5	11.0	39.75	14.0	EP 385 / M 18 × 1.5	
M 22 × 1.5	17.4	21.5	2	29.0	11.5	45.5	14.0	EP 385 / M 22 × 1.5	
M 26 × 1.5	22.4	25.2	2	34.5	11.5	48.0	14.0	EP 385 / M 26 × 1.5	

Pipethread DIN ISO 228-1, DIN 2999 und DIN 3858

NEW

All dimensions in mm

Metric Thread	Body		Fin		Flange	Height	Length	Pull Tab	Reference No.
	d ₁	d ₂	Quantity	D	h	L	B		
G 1/8	6.4	9.5	2	16.0	8.0	31.5	12.0	EP 385 – G 1/8	
G 1/4	9.9	13.0	2	19.0	7.0	29.0	12.0	EP 385 – G 1/4	
G 3/8	11.9	16.3	2	21.5	7.0	33.75	14.0	EP 385 – G 3/8	
G 1/2	17.5	20.6	1	27.0	7.5	39.5	14.0	EP 385 – G 1/2	
G 3/4	22.8	31.0	1	32.0	8.0	47.0	14.0	EP 385 – G 3/4	
G 1	29.0	32.5	1	40.0	10.0	54.0	14.0	EP 385 – G 1	

Material :
LLD-PE,
linear low density polyethylene

Standard Colour :
red, RAL 3000

Push fit. With continuous sealing lip and strong flexible side-tab for quick removal.

Fit threaded or plain ports.
Low-abrasion fit.

 sealwell

Should your requirements not be shown please ask for a separate quotation.
SEALWELL products and specifications are subject to improvement and change without notice.

Push-Fit Side Release Plugs with 2 strong Fins

Push fit. With continuous sealing lip and strong flexible side-tab for quick removal

Fit threaded or plain ports

Low-abrasion fit

TRIPLE ADVANTAGE of CAPTOP®

QUALITY. Push fit. With continuous sealing lip and strong flexible side-tab for quick removal. Fit threaded or plain ports. Low-abrasion fit.

AVAILABILITY. With over 400 million moulded components shipped from our Oststeinbek / Hamburg logistics center we provide the fastest on time delivery service to all markets and industries.

PHILOSOPHY. Innovative protective closures at the best price in the market.



CAPTOP®



NEW

Material :
LLD-PE,
linear low density polyethylene

Standard Colour :
red, RAL 3000

Individual Productions :
On request we develop and produce individually tailored solutions next to the standard items of this range: additional dimensions, different materials and new colours

We would be pleased to advise you.

 sealwell