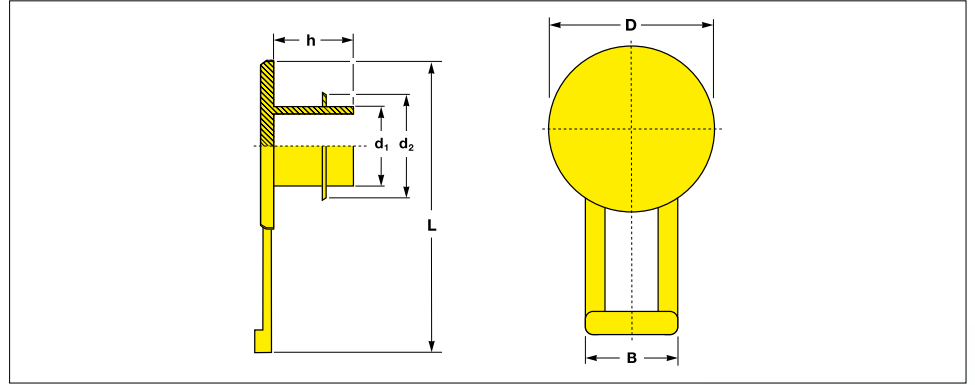


Push-Fit Side Release Plugs with 1 strong Fin

Push fit. With strong, flexible side-tab for quick removal

Designed to protect DKO-compression fittings

Fin gives a firm fit into threaded or plain ports. Low-abrasion fit



All dimensions in mm

Metric Thread	Body Ø	Fin Ø	Flange	Height	Length	Pull Tab	Reference No.
	d ₁	d ₂	D	h	L	B	
M 12 × 1.5	9.8	11.8	16.0	7.0	26.0	12.0	EP 380 / M 12 × 1.5
M 14 × 1.5	11.2	13.8	19.0	7.0	29.0	12.0	EP 380 / M 14 × 1.5
M 16 × 1.5	14.0	15.8	21.5	7.3	33.75	14.0	EP 380 / M 16 × 1.5
M 18 × 1.5	15.5	17.8	25.0	7.0	37.5	14.0	EP 380 / M 18 × 1.5
M 20 × 1.5	17.5	19.8	27.0	7.5	39.5	14.0	EP 380 / M 20 × 1.5
M 22 × 1.5	19.5	21.8	29.0	7.5	45.5	14.0	EP 380 / M 22 × 1.5
M 24 × 1.5	21.5	23.8	30.0	7.5	46.0	14.0	EP 380 / M 24 × 1.5
M 26 × 1.5	22.8	25.8	32.0	8.0	47.0	14.0	EP 380 / M 26 × 1.5
M 30 × 2	26.5	29.5	34.6	10.0	48.5	14.8	EP 380 / M 30 × 2
M 36 × 2	32.5	35.5	39.6	10.0	54.0	14.0	EP 380 / M 36 × 2
M 42 × 2	38.5	41.5	49.2	10.0	64.0	15.0	EP 380 / M 42 × 2
M 45 × 2	41.5	44.5	49.0	10.0	63.6	15.0	EP 380 / M 45 × 2
M 52 × 2	48.3	51.5	59.0	10.0	74.0	15.0	EP 380 / M 52 × 2

Example of application

All dimensions in mm

Reference No. EP 380 /	Suitable for DKO-Fitting		
M 12 × 1.5		6L	
M 14 × 1.5	6S		8L
M 16 × 1.5	8S		10L
M 18 × 1.5	10S		12L
M 20 × 1.5		12S	
M 22 × 1.5	14S		15L
M 24 × 1.5		16S	
M 26 × 1.5		18L	
M 30 × 2	20S		22L
M 36 × 2	25S		28L
M 42 × 2		30S	
M 45 × 2		35L	
M 52 × 2	38S		42L

Material :
LLD-PE,
linear low density polyethylene

Standard Colour :
blue, RAL 5012

Push fit. With strong, flexible side-tab for quick removal. Designed to protect DKO-compression fittings.

Fin gives a firm fit into threaded or plain ports. Low-abrasion fit.

sealwell

Should your requirements not be shown please ask for a separate quotation.
SEALWELL products and specifications are subject to improvement and change without notice.

Push-Fit Side Release Plugs with 1 strong Fin

Push fit. With strong, flexible side-tab for quick removal
 Designed to protect DKO-compression fittings
 Fin gives a firm fit into threaded or plain ports. Low-abrasion fit

TRIPLE ADVANTAGE of CAPTOP®

QUALITY. Push-Fit application for easy installation. Side Pull Tab is designed for easy removal in awkward locations. This range offers the convenience of a push-fit plug with the plugging quality of a threaded plug. Fits a range of threaded and plain ports.

AVAILABILITY. With over 400 million moulded components shipped from our Oststeinbek / Hamburg logistics center we provide the fastest on time delivery service to all markets and industries.

PHILOSOPHY. Innovative protective closures at the best price in the market.



CAPTOP®



NEW

Material :
 LLD-PE,
 linear low density polyethylene

Standard Colour :
 blue, RAL 5012

Individual Productions :
 On request we develop and produce individually tailored solutions next to the standard items of this range: additional dimensions, different materials and new colours

We would be pleased to advise you.

 sealwell