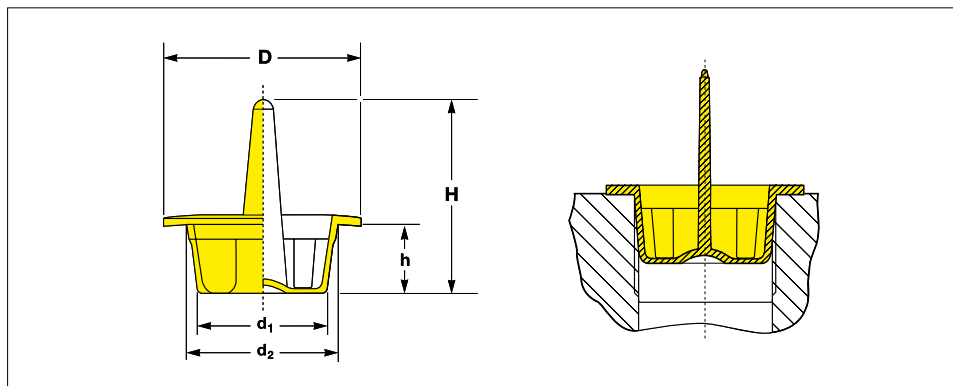


Thermoplastic Rubber Plugs

Handy pull-tab for easy removal
 Protects threaded or plain components
 Withstands continuous temperatures of up to 120 ° C

immediate

FREE SAMPLES



Withstands continuous temperatures of up to +120°C

Material :

TPE,
 thermoplastic rubber
 free from plasticisers

Standard Colours :

yellow, black

Durable, rubber-like material

Handy pull-tab for easy removal.
 Protects threaded or plain components.

Withstands continuous temperatures of up to 120 ° C.



All dimensions in mm

Dimensions					Metric Thread DIN 13	DIN ISO 228	Unified Thread to ANSI/ASME B 1.1a - 1984				Reference No.
d ₁	d ₂	D	h	H			UN	UNC	UNF	UNEF	
6.5	7.5	15.5	9.0	24.0	M 8 × 1		. 5/16	.7/16	.5/16	. 5/16	EP 370 / M 8 × 1
8.5	9.5	17.5	9.0	24.0	M 10 × 1	G .1/8"	. 3/ 8	.7/16		. 3/ 8	EP 370 / M 10 × 1
10.5	11.5	19.5	9.0	25.0	M 12 × 1.5	G .1/4"	. 1/ 2				EP 370 / M 12 × 1
12.5	13.5	21.5	8.5	26.0	M 14 × 1.5		. 9/16	.9/16	.9/16	. 9/16	EP 370 / M 14 × 1.5
14.3	15.5	23.5	9.0	25.5	M 16 × 1.5	G .3/8"	. 5/ 8		.5/ 8	. 5/ 8	EP 370 / M 16 × 1.5
16.2	17.6	25.5	9.0	25.0	M 18 × 1.5		.11/16	.3/ 4		.11/16	EP 370 / M 18 × 1.5
18.0	19.4	26.5	8.6	25.0	M 20 × 1.5	G .1/2"					EP 370 / M 20 × 1.5
20.0	21.4	26.5	8.7	25.7	M 22 × 1.5						EP 370 / M 22 × 1.5
22.0	23.5	28.5	9.0	25.0	M 24 × 1.5		.15/16			.15/16	EP 370 / M 24 × 1.5

Should your requirements not be shown please ask for a separate quotation.
 SEALWELL products and specifications are subject to improvement and change without notice.

Thermoplastic Rubber Plugs

Handy pull-tab for easy removal

Protects threaded or plain components

Withstands continuous temperatures of up to 120 ° C

TRIPLE ADVANTAGE of CAPTOP®

QUALITY. The pull-tab design allows easy removal, when the tab is pulled the base of the plug moves upwards and inwards and the plug releases in a swift rolling motion which stops any residue being left on the threads or in the bore.

- The pull-tab design allows easy removal.
- The rolling release action eliminates debris upon removal.
- Withstands continuous temperatures of up to 120 ° C.

AVAILABILITY. With over 400 million moulded components shipped from our Oststeinbek / Hamburg logistics center we provide the fastest on time delivery service to all markets and industries.

PHILOSOPHY. Innovative protective closures at the best price in the market.



CAPTOP®

Withstands continuous
temperatures of up to +120°C



Material :

TPE,
thermoplastic rubber
free from plasticisers

Standard Colours :

yellow, black

Individual Productions :

On request we develop and produce individually tailored solutions next to the standard items of this range: additional dimensions, different materials and new colours

We would be pleased to advise you.

 sealwell