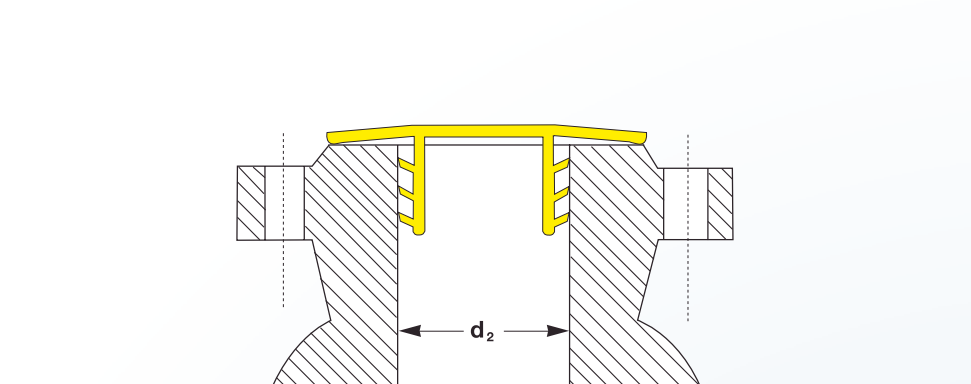
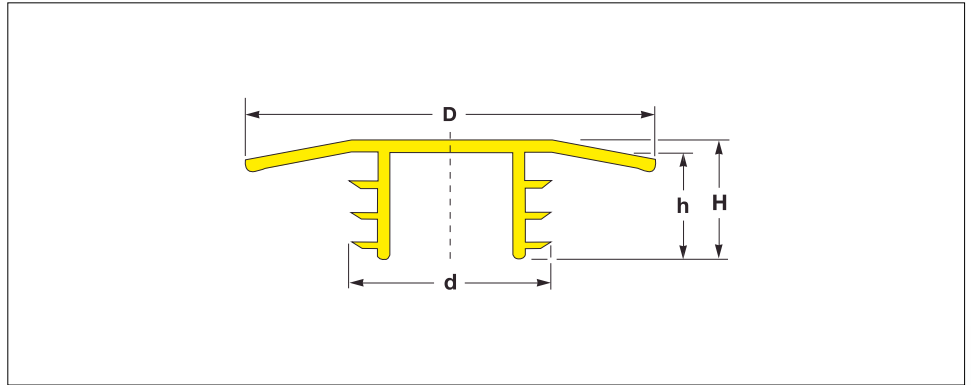


Push-In Flange Face Protectors

Guard the flange face DN 15 – DN 300
Suited to protect DIN and ANSI flanges

EX STOCK
400m
Parts
DELIVERY SERVICE



Example of application

All dimensions in mm

Material :
LLD-PE,
linear low density polyethylene

Standard Colour :
yellow

Ribbed Face Protectors guard the flange face against dirt, moisture, paint, sand and short blasting.

The tapered section of the part creates a strong adhesion to various classifications of flanges, no fasteners required.

 sealwell

Dim.	Ø Flange DIN	Ø Flange d ₂		Dimensions				Lamellar Qty.	Reference No.
		min.	max.	d	D	H	h		
.1/2"	DN 15	11.0	18.5	18.5	44.8	16.0	15.0	3	EP 306 / DN 15
.3/4"	DN 20	16.0	23.0	24.0	58.0	16.0	15.0	3	EP 306 / DN 20
1."	DN 25	21.0	29.0	30.0	70.0	19.0	18.0	3	EP 306 / DN 25
1.1/4"	DN 32	30.0	37.0	39.0	78.0	29.0	28.0	3	EP 306 / DN 32
1.1/2"	DN 40	37.0	43.0	45.0	88.0	29.0	28.0	3	EP 306 / DN 40
2."	DN 50	43.0	54.0	55.5	102.1	20.1	18.5	2	EP 306 / DN 50
2.1/2"	DN 65	61.0	71.0	72.5	122.0	33.5	33.0	3	EP 306 / DN 65
3."	DN 80	74.0	83.0	85.0	138.0	34.0	33.0	3	EP 306 / DN 80
4."	DN 100	80.0	110.0	112.0	162.0	34.5	35.0	2	EP 306 / DN 100
5."	DN 125	100.0	135.0	137.5	189.0	34.8	35.0	2	EP 306 / DN 125
6."	DN 150	130.0	167.0	172.0	215.0	36.4	35.0	2	EP 306 / DN 150
8."	DN 200	180.0	216.0	217.2	270.0	45.1	43.1	2	EP 306 / DN 200
10."	DN 250	232.0	267.0	270.9	345.0	45.1	43.1	2	EP 306 / DN 250
12."	DN 300	285.0	316.0	325.0	408.0	45.1	43.1	3	EP 306 / DN 300

Should your requirements not be shown please ask for a separate quotation.
SEALWELL products and specifications are subject to improvement and change without notice.

Push-In Flange Face Protectors

Guard the flange face DN 15 – DN 300
Suited to protect DIN and ANSI flanges

TRIPLE ADVANTAGE of CAPTOP®

QUALITY. Ribbed Face Protectors guard the flange face against dirt, moisture, paint, sand and short blasting. The tapered section of the part creates a strong adhesion to various classifications of flanges, no fasteners required.

AVAILABILITY. With over 400 million moulded components shipped from our Oststeinbek / Hamburg logistics center we provide the fastest on time delivery service to all markets and industries.

PHILOSOPHY. Innovative protective closures at the best price in the market.



CAPTOP®



NEW

Material :
LLD-PE,
linear low density polyethylene

Standard Colour :
yellow

Individual Productions :
On request we develop and produce individually tailored solutions next to the standard items of this range: additional dimensions, different materials and new colours

We would be pleased to advise you.

 sealwell