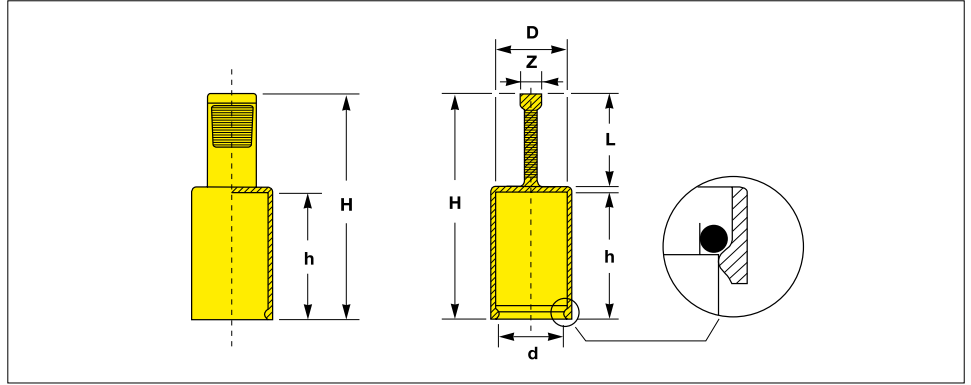


Flexible Pull Tab Caps

Large Pull-Tab allows easy handling and quick removal

immediate

FREE
SAMPLES

Material :
EVA (Ethylenvinylacetate)

Standard Colour :
yellow

These Push-Fit Caps provide good tensile strength, toughness and increased flexibility between +1 mm and +2.5 mm in diameter.

They can be used to cap threaded and non-threaded applications and are ideal for use on hydraulic hoses or pipe ends fitted with pressure-sensitive external O-rings.

The internal lip ensures a firm and clean fit and prevents ingress of dirt and contaminants.

Large Pull-Tab allows easy removal.

All dimensions in mm

To fit threaded or non threaded external diameters	D	h	H	L	Z	Reference No.
4 - 5	5.0	20.0	37.0	15.1	3.2	EP 211 ZL 4 x 20
5 - 6	5.2	20.0	37.0	15.1	3.2	EP 211 ZL 5 x 20
6 - 7.5	7.5	20.0	37.0	15.1	3.2	EP 211 ZL 6 x 20
7.9 - 9	8.4	20.0	37.0	15.1	3.2	EP 211 ZL 8 x 20
9 - 10.5	10.5	20.0	37.0	15.1	3.3	EP 211 ZL 9 x 20
9.9 - 11.5	10.5	20.0	36.3	15.1	3.2	EP 211 ZL 10 x 20
10.8 - 12.5	11.3	20.0	37.0	15.1	3.0	EP 211 ZL 11 x 20
11.7 - 13	12.5	20.0	37.0	15.1	3.2	EP 211 ZL 12 x 20
12.9 - 15	13.4	20.0	36.5	15.0	3.3	EP 211 ZL 13 x 20
13.9 - 16	14.5	20.0	36.5	15.0	3.3	EP 211 ZL 14 x 20
14.9 - 17	15.5	20.0	36.4	15.0	3.3	EP 211 ZL 15 x 20
15.9 - 18	16.3	20.0	36.3	15.0	3.3	EP 211 ZL 16 x 20
17.9 - 20	18.3	20.0	36.1	15.0	3.1	EP 211 ZL 18 x 20
20 - 22	20.5	20.0	37.0	15.0	3.3	EP 211 ZL 20 x 20
20 - 22	20.0	30.0	47.0	15.0	3.3	EP 211 ZL 20 x 30
24 - 26	24.0	20.0	36.4	15.0	3.3	EP 211 ZL 24 x 20

Should your requirements not be shown please ask for a separate quotation.

SEALWELL products and specifications are subject to improvement and change without notice.

Flexible Pull Tab Caps

Large Pull-Tab allows easy handling and quick removal

TRIPLE ADVANTAGE of CAPTOP®

QUALITY. Cap threaded and non-threaded applications and are ideal for use on hydraulic hoses or pipe ends fitted with pressure-sensitive external O-rings. These Push-Fit Caps provide good tensile strength, toughness and increased flexibility between +1 mm and +2.5 mm in diameter. Ideal for working in confined space. The internal lip ensures a firm and clean fit and prevents ingress of dirt and contaminants.

AVAILABILITY. With over 400 million moulded components shipped from our Oststeinbek / Hamburg logistics center we provide the fastest on time delivery service to all markets and industries.

PHILOSOPHY. Innovative protective closures at the best price in the market.



CAPTOP®



Material :
EVA (Ethylvinylacetate)

Standard Colour :
yellow

Individual Productions :
On request we develop and produce individually tailored solutions next to the standard items of this range: additional dimensions, different materials and new colours

We would be pleased to advise you.

 sealwell