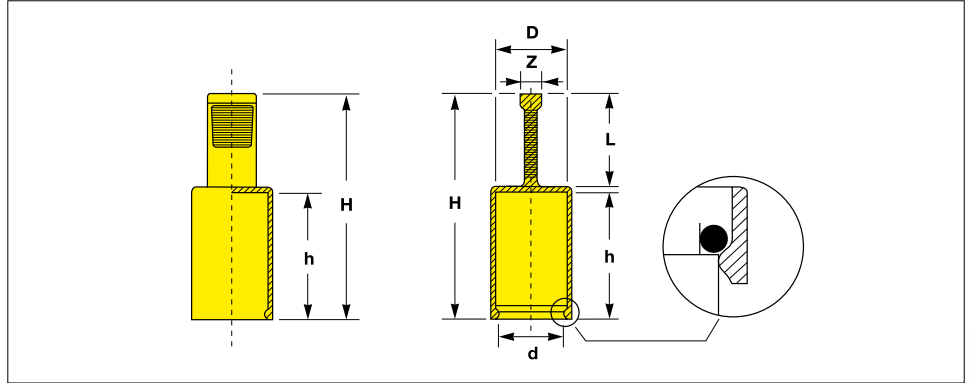


Large Pull-Tab allows easy handling and quick removal

immediate

FREE
SAMPLES



Material :
EVA (Ethylenvinylacetate)

Standard Colour :
yellow

These Push-Fit Caps provide good tensile strength, toughness and increased flexibility between +1 mm and +2.5 mm in diameter.

They can be used to cap threaded and non-threaded applications and are ideal for use on hydraulic hoses or pipe ends fitted with pressure-sensitive external O-rings.

The internal lip ensures a firm and clean fit and prevents ingress of dirt and contaminants.

Large Pull-Tab allows easy removal.

 sealwell

All dimensions in mm

To fit threaded or non threaded external diameters	d	D	h	H	L	Z	Reference No.
4	4.0	5.0	20.0	37.0	15.1	3.2	EP 210 / ZL 4 × 20
5	4.8	5.2	20.0	37.0	15.1	3.2	EP 210 / ZL 5 × 20
6	6.0	7.5	20.0	37.0	15.1	3.2	EP 210 / ZL 6 × 20
8	8.0	8.4	20.0	37.0	15.1	3.2	EP 210 / ZL 8 × 20
9	9.0	10.5	20.0	37.0	15.1	3.3	EP 210 / ZL 9 × 20
10	10.0	10.5	20.0	36.3	15.1	3.2	EP 210 / ZL 10 × 20
11	11.0	11.3	20.0	37.0	15.1	3.0	EP 210 / ZL 11 × 20
12	12.0	12.5	20.0	37.0	15.1	3.2	EP 210 / ZL 12 × 20
13	13.0	13.4	20.0	36.5	15.0	3.3	EP 210 / ZL 13 × 20
14	14.0	14.5	20.0	36.5	15.0	3.3	EP 210 / ZL 14 × 20
15	15.0	15.5	20.0	36.4	15.0	3.3	EP 210 / ZL 15 × 20
16	16.0	16.3	20.0	36.3	15.0	3.3	EP 210 / ZL 16 × 20
18	18.0	18.3	20.0	36.1	15.0	3.1	EP 210 / ZL 18 × 20
20	20.0	20.5	20.0	37.0	15.0	3.3	EP 210 / ZL 20 × 20
20	20.0	20.0	30.0	47.0	15.0	3.3	EP 210 / ZL 20 × 30
24	23.7	24.0	20.0	36.4	15.0	3.3	EP 210 / ZL 24 × 20

Should your requirements not be shown please ask for a separate quotation.

SEALWELL products and specifications are subject to improvement and change without notice.

Flexible Pull Tab Caps

Large Pull-Tab allows easy handling and quick removal

TRIPLE ADVANTAGE of CAPTOP®

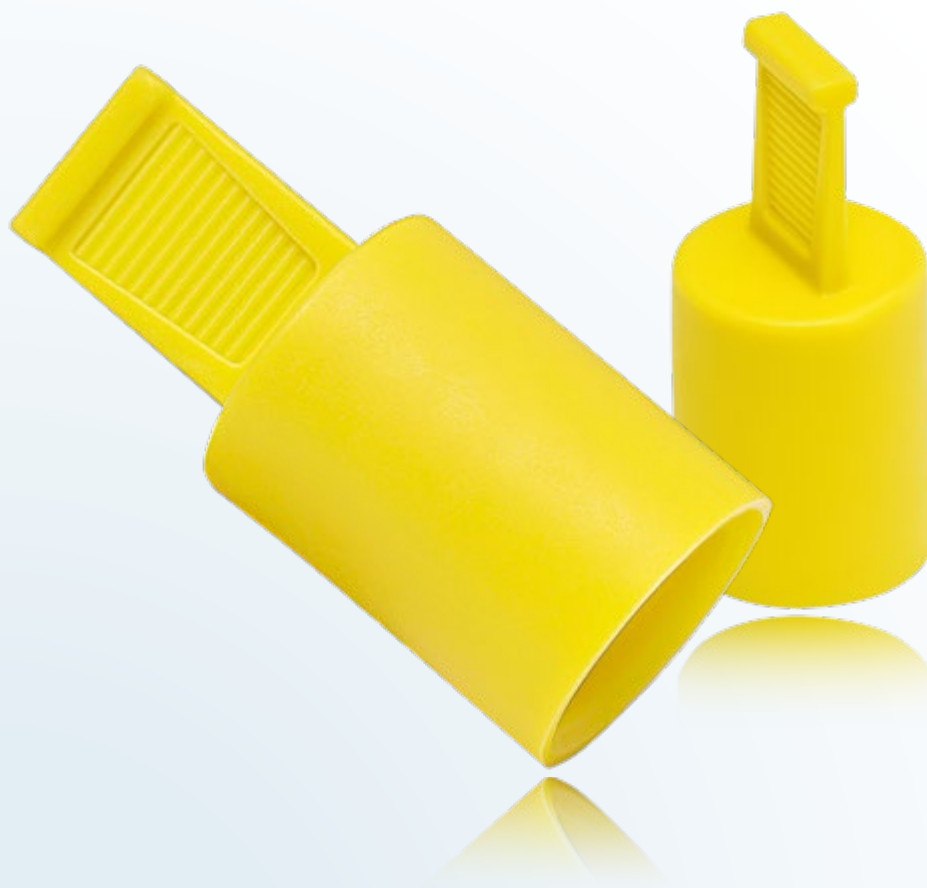
QUALITY. Cap threaded and non-threaded applications and are ideal for use on hydraulic hoses or pipe ends fitted with pressure-sensitive external O-rings. These Push-Fit Caps provide good tensile strength, toughness and increased flexibility between +1 mm and +2.5 mm in diameter. Ideal for working in confined space. The internal lip ensures a firm and clean fit and prevents ingress of dirt and contaminants.

AVAILABILITY. With over 400 million moulded components shipped from our Oststeinbek / Hamburg logistics center we provide the fastest on time delivery service to all markets and industries.

PHILOSOPHY. Innovative protective closures at the best price in the market.



CAPTOP®



Material :
EVA (Ethylvinylacetate)

Standard Colour :
yellow

Individual Productions :
On request we develop and produce individually tailored solutions next to the standard items of this range: additional dimensions, different materials and new colours

We would be pleased to advise you.

 sealwell